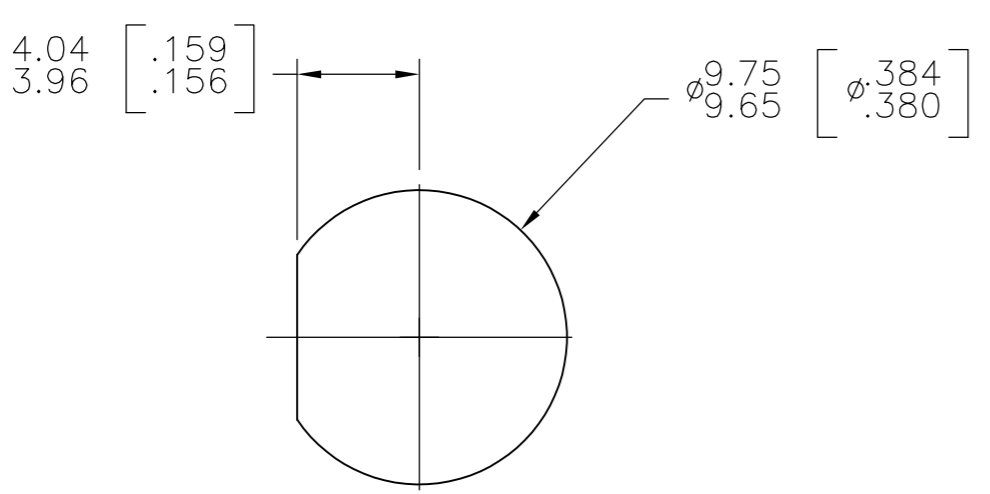
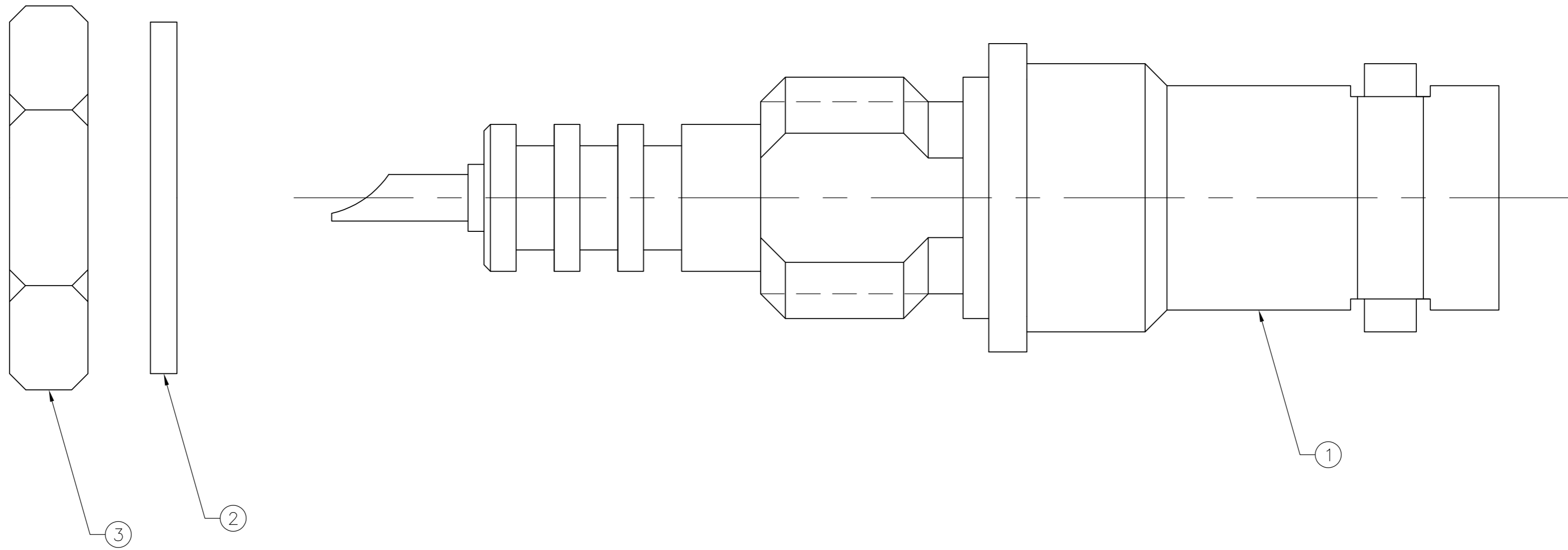


THIS DRAWING IS UNPUBLISHED. RELEASED FOR PUBLICATION
 © COPYRIGHT BY TYCO ELECTRONICS CORPORATION. ALL RIGHTS RESERVED.

LOC	DIST	REVISIONS			
P	LTR	DESCRIPTION	DATE	DWN	APVD
AJ	17	F	REV PER ECO 07-030186	08JAN2008	DW JL

1. USE INSTRUCTION SHEET 408-2187.
2. ACCOMMODATES 0.79 [.031] TO 4.78 [.188] PANEL THICKNESS.



RECOMMENDED PANED CUTOUT
SCALE 4:1

.461 oz	1-330249-1	1-329492-1	51531-2	51494-2
.423 oz	330249	329492	51531-1	51494-1
WEIGHT	③ JAM NUT QTY: 1	② LOCK WASHER QTY: 1	① ASSEMBLY QTY: 1	PART NUMBER

THIS DRAWING IS A CONTROLLED DOCUMENT.		DWN D. WALLACE 8JAN2008	Tyco Electronics Corporation Harrisburg, PA 17105-3608	
DIMENSIONS: mm [INCHES]		CHK J. LIPPERT 8JAN2008	NAME SHV BULKHEAD SOLDER JACK	
TOLERANCES UNLESS OTHERWISE SPECIFIED:		APVD J. LIPPERT 8JAN2008	SIZE A2	
0 PLC ± -		PRODUCT SPEC	CAGE CODE 00779	DRAWING NO 51494
1 PLC ± -		APPLICATION SPEC	RESTRICTED TO	
2 PLC ± 0.41[.016]			SCALE 1:1	SHEET 1 of 1
3 PLC ± -		WEIGHT -	REV F	
4 PLC ± -		CUSTOMER DRAWING		
ANGLES ± -				
FINISH -				